

# secuENTRY pro 7100

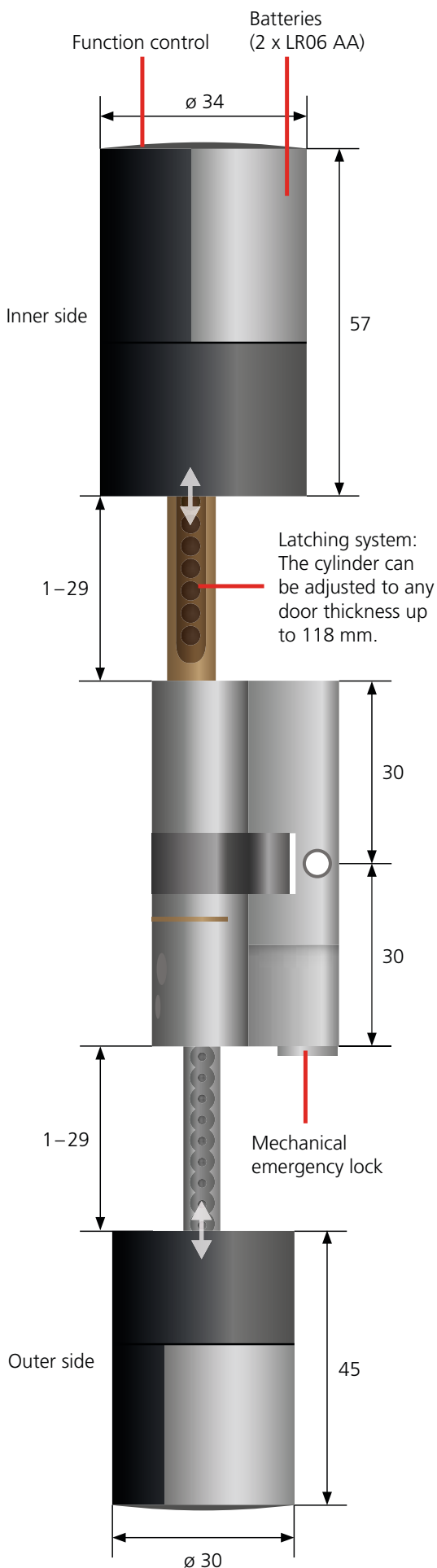
Order no.: 57240

## Technical details.

Model	Assembly in profile cylinder hole (DIN 18252, EN 1303) Approval and certification: <ul style="list-style-type: none"><li>• Conformity to all applicable EC guidelines</li><li>• National laws must be checked separately</li></ul>
Power supply	2x MIGNON LR06 AA Alkaline
Permissible ambient conditions	-15°C to +50°C / up to 95% rel. air humidity (noncondensing)
Number of possible activations per battery set	PINCODE 40,000 openings <sup>1</sup> FINGERPRINT 40,000 openings <sup>1</sup>
Cylinder length min/max	Can be adjusted to door thickness up to 118 mm on site via latch system: Min. 30/30 mm, Max. 59/59 mm (Measured from mid forend screw)
Backset	<ul style="list-style-type: none"><li>• Inward opening door (standard knob): 30 mm<sup>2</sup></li><li>• Outward opening door: 35 mm<sup>2</sup></li></ul>
Frequency range	Up to 4 m (AES encryption)
Outer shaft	Stainless steel, drilled
Coupling duration	7 seconds
Emergency unlocking	Mechanical emergency lock (Optional keyed alike)
Data transfer cylinder	Bluetooth 4.0 LE (AES encrypted)
Special feature	Manipulation protection

<sup>1</sup> Without permanent opening

<sup>2</sup> Applies for door leaf thicknesses, where the profile cylinder does not protrude. In the case of other doors, please ask.



Dimensions in mm | Fig. 1:1

**Product illustration.**



**Product information.**

**User data:**

- Electronic cylinder for up to 2000 users
- Identification media:
  - Pincode: 2000 users
  - Fingerprint: 200-300 users, including 45 Premium fingers
  - Smart devices: 2000 users
- History functions: 2000 events

**Function via optional software:**

- User or group administration
- Time and calendar function
- Assignment of authorisations
- History function:

**Scope of delivery:**

- Cylinder (according to fig.)
- Assembly material (incl. forend screw/hexagon socket screw)
- Covering rosette
- Serial number/factory admin code
- QR code for training regarding the products
- Batteries: 2x MIGNON LR6 AA ALKALINE
- Operating instructions