

# secuENTRY pro 7000

Order no.: 57130

## Technical details.

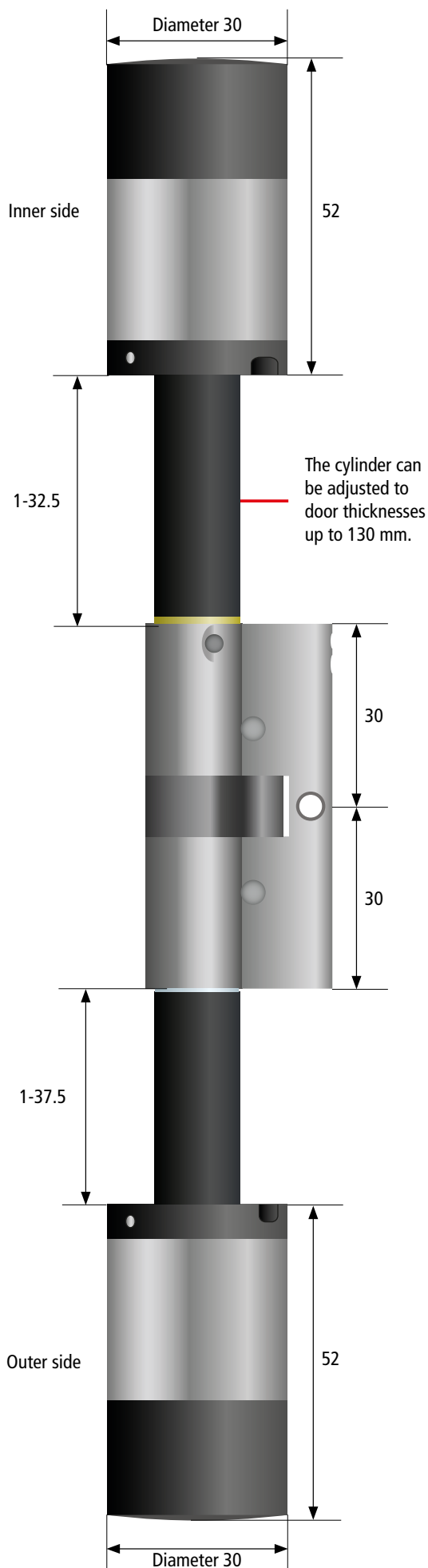
|  |   |
|--|---|
| Model  | Assembly in profile cylinder hole (DIN 18252, EN 1303)<br>Approval and certification: <ul style="list-style-type: none"><li>• Conformity to all applicable EC guidelines</li><li>• National laws must be checked separately</li></ul> |
| Power supply                                   | 1x CR123A lithium battery   |
| Permissible ambient conditions                 | * -15°C/+50°C / up to 95% rel. air humidity (noncondensing)   |
| Number of possible activations per battery set | PINCODE 55,000 openings <sup>1</sup><br>FINGERPRINT 55,000 openings <sup>1</sup><br>PASSIVE TRANSPONDER 65,000 openings <sup>1</sup>  |
| Cylinder length min/max                        | Door thickness 60 to 130 mm: Min. 30/30 mm, Max. 67.5/62.5 mm (measured from mid forend screw)  |
| Backset  | <ul style="list-style-type: none"><li>• Inward opening door (standard knob): 30 mm<sup>2</sup></li><li>• Outward opening door: 30 mm<sup>2</sup></li></ul>  |
| Active outer knob                              | <ul style="list-style-type: none"><li>• For reading passive transponders</li><li>• Bluetooth receiver</li></ul>   |
| Frequency range                                | Up to 4 m (AES encryption)  |
| Protection class                               | IP 65   |
| Outer shaft                                    | Plastic, brass <sup>3</sup>   |
| Coupling duration                              | 7 seconds   |
| Data transfer cylinder                         | Bluetooth 4.0 LE (AES encrypted)  |
| Special feature                                | Manipulation protection   |

<sup>1</sup> Without permanent opening

<sup>2</sup> Applies for door leaf thicknesses, where the profile cylinder does not protrude. In the case of other doors, please ask.

<sup>3</sup> Optional accessories

## secuENTRY pro 7000.



Dimensions in mm | Fig. 1:1

### Product illustration.



### Product information.

#### User data:

- Electronic cylinder for up to 2000 users
- Identification media:
  - Pincode: 2000 Users
  - Fingerprint: 200-300 users, including 45 premium fingers
  - Passive transponder: 2000 users
  - Smart devices: 2000 users
- History functions: 2000 events

#### Function via optional software:

- User or group administration
- Time and calendar function
- Assignment of authorisations
- History function
- Visitor transponder function

#### Scope of delivery:

- Cylinder (according to fig.)
- Spacers
- Assembly material (incl. forend screw/hexagon socket screw)
- Covering rosette
- Serial number/factory admin code
- QR code for training regarding the products
- 1x CR123A lithium battery
- Operating instructions