

secuENTRY pro 7030 HALF

Order no.: 57160

Technical details.

Model	Assembly in profile cylinder hole (DIN 18252, EN 1303) Approval and certification: <ul style="list-style-type: none">• Conformity to all applicable EC guidelines• National laws must be checked separately
Power supply	1x CR123A lithium battery
Permissible ambient conditions	-15°C to +50°C / up to 95% rel. air humidity (noncondensing)
Number of possible activations per battery set	PINCODE 55,000 openings ¹ FINGERPRINT 55,000 openings ¹ PASSIVE TRANSPONDER 65,000 openings ¹
Cylinder length min/max	Total length up to 77.5 mm: Min. 30/10 mm, Max. 67.5/10 mm (measured from mid forend screw)
Backset	<ul style="list-style-type: none">• Inward opening door (standard knob): 30 mm²• Outward opening door: 30 mm²
Active outer knob	<ul style="list-style-type: none">• For reading passive transponders• Bluetooth receiver
Frequency range	Up to 4 m (AES encryption)
Protection class	IP 65
Outer shaft	Plastic, brass ³
Coupling duration	7 seconds
Data transfer cylinder	Bluetooth 4.0 LE (AES encrypted)
Special feature	Manipulation protection

¹ Without permanent opening

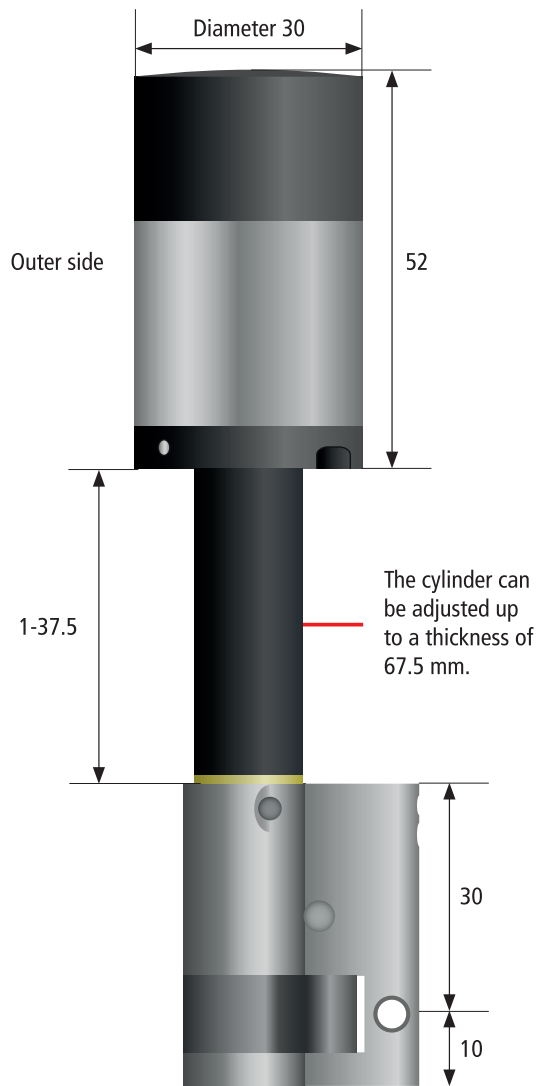
² Applies for door leaf thicknesses, where the profile cylinder does not protrude. In the case of other doors, please ask.

³ Optional accessories

Areas of use.

Key switch, garages, block locks, control cabinets, etc.

secuENTRY pro 7030 HALF



Dimensions in mm | Fig. 1:1

Product illustration.



Product information.

User data:

- Electronic cylinder for up to 2000 users
- Identification media:
 - Pincode: 2000 users
 - Fingerprint: 200-300 users, including 45 Premium fingers
 - Passive transponder: 2000 users
 - Smart devices: 2000 users
- History functions: 2000 events

Function via optional software:

- User or group administration
- Time and calendar function
- Assignment of authorisations
- History function:
- Visitor transponder function

Scope of delivery:

- Cylinder (according to fig.)
- Spacers
- Assembly material (incl. forend screw/hexagon socket screw)
- Covering rosette
- Serial number/factory admin code
- QR code for training regarding the products
- 1x CR123A lithium battery
- Operating instructions